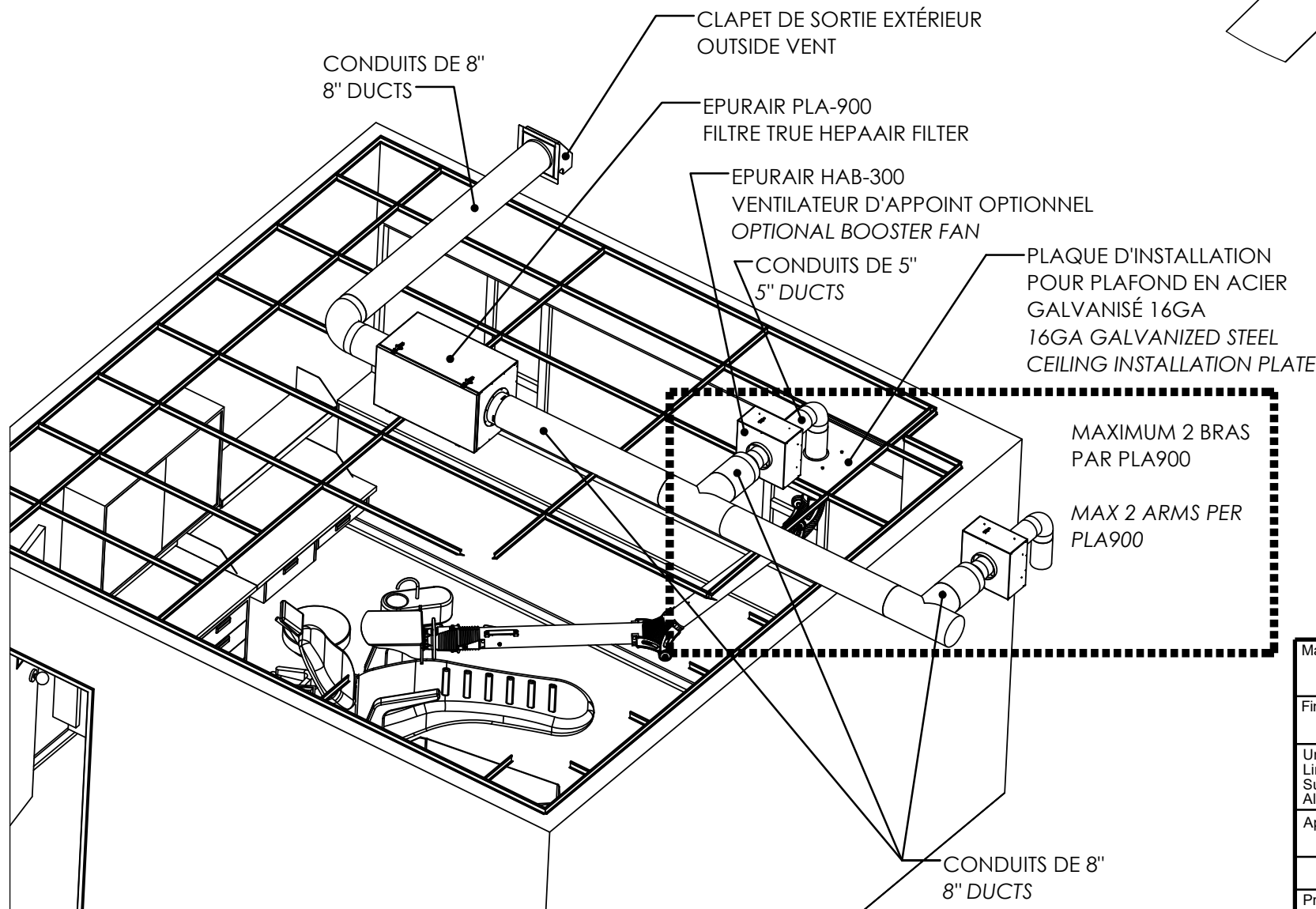
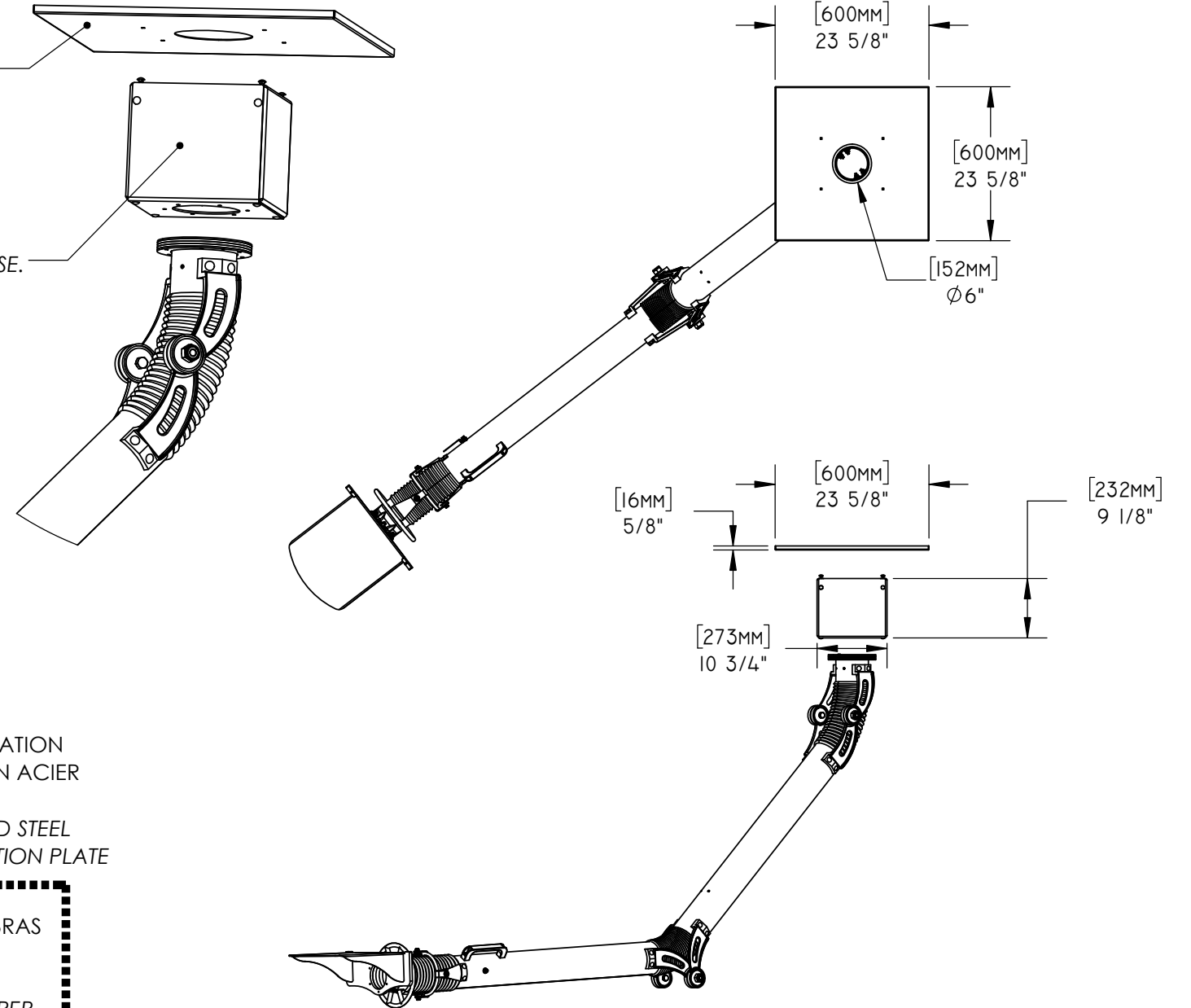


NOTES

- S'ASSURER QUE LA PLAQUE D'INSTALLATION EST SOLIDEMENT FIXÉE À LA STRUCTURE DU BÂTIMENT.
- NE PAS SE FIER À LA STRUCTURE DU PLAFOND SUSPENDU POUR L'INTÉGRITÉ STRUCTURELLE DU BRAS.
- LES MÉTHODES DE FIXATION DOIVENT ÊTRE CONFORMES AUX LOIS ET AUX CODES QUI S'APPLIQUENT SELON LA JURIDICTION.
- ENSURE THAT THE INSTALLATION PLATE IS SOLIDLY FIXED TO THE BUILDING STRUCTURE.
- DO NOT RELY ON THE STRUCTURE OF THE SUSPENDED CEILING FOR THE STRUCTURAL INTEGRITY OF THE ARM.
- THE FIXING METHODS MUST BE IN ACCORDANCE WITH THE LAWS AND CODES THAT APPLY IN THE JURISDICTION.

PLAQUE D'INSTALLATION POUR PLAFOND EN ACIER GALVANISÉ 16GA
16GA GALVANIZED STEEL CEILING
INSTALLATION PLATE

TRANSITION EN ACIER BLANC ANTIMICROBIEN ENTRE LA PLAQUE D'INSTALLATION ET LE BRAS
TRANSITION BOX BETWEEN THE INSTALLATION PLATE AND THE ARM BASE.



Material:		Document Type: INSTALLATION GÉNÉRALE		Description: INSTALLATION GÉNÉRALE POUR CLINIQUES DE DENTISTES	
Finish:		PROPRIETARY AND CONFIDENTIAL		Drawn by: DL	
Unless Otherwise Stated: Linear Tol.: ±0.002, Angular Tol.: 0°15' Surface Finish: 0.8µm All Dimensions: inches		THIS DRAWING AND ANY INFORMATION OR DESCRIPTIVE MATERIAL SET OUT ON IT ARE THE CONFIDENTIAL AND COPYRIGHT PROPERTY OF INDUSTRIE ORKAN INC. © AND MUST NOT BE DISCLOSED, COPIED, LOANED IN WHOLE OR PART OR USED FOR ANY PURPOSE WITHOUT THE WRITTEN PERMISSION OF INDUSTRIE ORKAN INC.		Drawn Date: 12 MAI 2020	
Approx Weight:		Drawing Produced In Accordance With: BS8888		Checked/Approved by: DL	
SCALE 1:36 DO NOT SCALE		ORKAN		Checked/Approved Date: 12 MAI 2020	
Projection Method: THIRD ANGLE PROJECTION		Sheet Size: B		Part Number:	
		Industrie Orkan inc., Saint-Hubert, CANADA info@orkan.ca, +1.514.316.4368		Drawing Number: CLINIQUE PLAFOND	
				Sheet: 1 of 2	
				Revision: A	

**PLA900
PURIFICATEUR HEPA
HEPA AIR PURIFIER**

**HAB300
VENTILATEUR D'APPOINT
BOOSTER FAN**

**HAB300
VENTILATEUR D'APPOINT
BOOSTER FAN**

**INTERRUPTEUR
SWITCH**

**MINUTERIE
TIMER**

**MINUTERIE
TIMER**

120V AC

Material:		Document Type: INSTALLATION GÉNÉRALE		Description:	
Finish:		PROPRIETARY AND CONFIDENTIAL		Drawn by:	
Unless Otherwise Stated: Linear Tol.: ± 0.002 , Angular Tol.: $0^{\circ}15'$ Surface Finish: $0.8\mu\text{m}$ All Dimensions: inches		THIS DRAWING AND ANY INFORMATION OR DESCRIPTIVE MATERIAL SET OUT ON IT ARE THE CONFIDENTIAL AND COPYRIGHT PROPERTY OF INDUSTRIE ORKAN INC. © AND MUST NOT BE DISCLOSED, COPIED, LOANED IN WHOLE OR PART OR USED FOR ANY PURPOSE WITHOUT THE WRITTEN PERMISSION OF INDUSTRIE ORKAN INC.		Drawn Date:	
Approx Weight:	Drawing Produced In Accordance With: BS8888	Checked/Approved by:		Checked/Approved Date:	
SCALE 1:36		DO NOT SCALE		Part Number:	
Projection Method:  THIRD ANGLE PROJECTION		Sheet Size: B		Drawing Number: CLINIQUE PLAFOND	
		Industrie Orkan inc., Saint-Hubert, CANADA info@orkan.ca, +1.514.316.4368		Sheet: 2 of 2	
				Revision:	